

PRODUCT DESCRIPTION

The Profile can be pendant mounted, giving a versatile solution to many interior lighting design problems. The Profile can be used to create bespoke lighting solutions no matter the size or shape of the room.

The high lumen levels and interconnectable lengths make the Profile ideal for a host of applications including commercial lighting, architectural lighting, restaurant lighting, hotel lighting, bars and clubs, modern luxury kitchen lighting, residential properties.

ADA LED LIGHTTECH CO., LTD

Add: Suite 105, Building E, Jin Yu Creative Industry Center, No. 22 Chuangyuan Road, Panyu District, Guangzhou 511495

Phone:+86 20 3156 0963

info@adaprofile.com

www.adaprofile.com

SPECIFICATION

LIGHTING PERFORMANCE

| LED QTY | FIXTURE LUMEN OUTPUT | CRI | MINIMUM LIFETIME |
|---------|----------------------|-----|------------------|
| 204 LED | 4480LM/1.2M | >80 | 30,000HRS |

OPERATING DETAILS

| INPUT POWER | INPUT VOLTAGE | WORKING TEMPERATURE RANGE |
|-------------|---------------|---------------------------|
| 40W/1.2M | 100-305V/AC | -20 TO +40 °C |

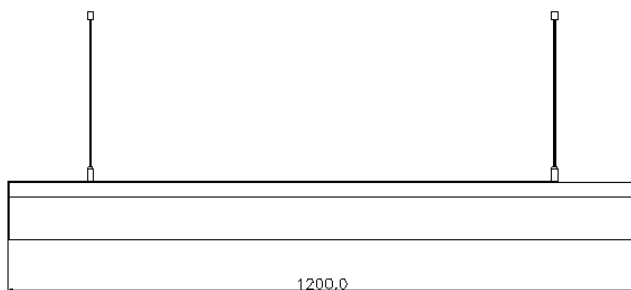
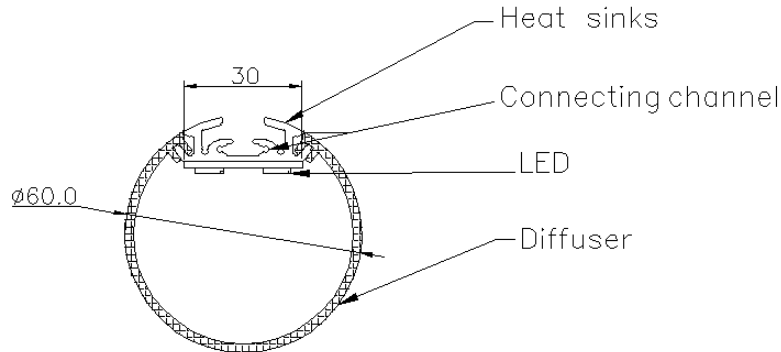
PHYSICAL DETAILS

| MOUNTING TYPE | FINISH | INGRESS PROTECTION |
|-----------------|--|--------------------|
| PENDANT MOUNTED | ANODISED ALUMINIUM SATIN WHITE, BLACK | IP20 |

OPTIONS

| OPTICS | LENGTH | SINGLE LED COLOURS |
|--------|--------|---------------------------------|
| 120° | 1200MM | WHITE, NEUTRAL WHITE, WARMWHITE |

DIMENSIONS



ADA LED LIGHTECH CO., LTD


Add: Suite 105, Building E, Jin Yu Creative Industry Center, No. 22 Chuangyuan Road, Panyu District, Guangzhou 511495

Phone:+86 20 3156 0963

info@adaprofile.com

www.adaprofile.com

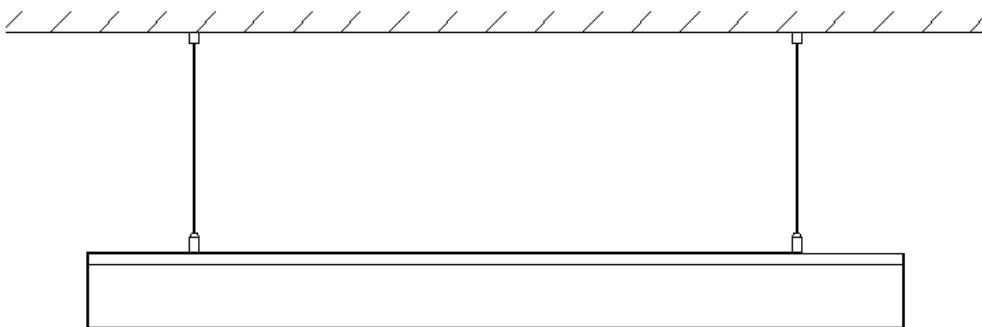
LED MODULE

| LED ALU PCB | LED TYPE | PCB WIDTH | WATTS | CURRENT | LED QUANTITY | RA | REMARK |
|---|------------------|-----------|---------------|---------|--------------|-----|-------------|
|  | 2835 | 30MM | 35.4W | 1000MA | 204LED | >80 | CONNECTABLE |
| LED COLOR | WARM WHITE | | NEUTRAL WHITE | | PURE WHITE | | |
| COLOR TEMPERATURE(K/NM) | 2700-3000K | | 4000-5000K | | 5500-6000K | | |
| LUMINOUS FLUX (LM) | 5239 | | 5390 | | 5390 | | |
| LUMINOUS EFFICACY (LM/W) | 148 | | 152 | | 152 | | |
| POWER(W) | 35.4 | | 35.4 | | 35.4 | | |
| DRIVING METHOD | CONSTANT CURRENT | | | | | | |
| STANDARD LENGTH(M) | 1.2 METERS | | | | | | |
| BODY MATERIAL | ALUMINUM PLATE | | | | | | |
| INSTALL METHOD | SCREW FIXED | | | | | | |

POWER SUPPLY

| MODEL NO | AC CURRENT | DC VOLTAGE | GATED CURRENT | RATED POWER | DIMENSION (LXWXH) | DIMMABLE |
|-------------|------------|------------|---------------|-------------|-------------------|----------|
| ADA-BT111YC | 100-305V | 27-40V | 0.75-1.1A | 40W | 257X31X23 | 0-10V |
| ADA-BT111NC | 180-264V | 27-40V | 0.75-1.1A | 40W | 257X31X23 | 0-10V |

INSTALLATION DIAGRAM



Suspend

Please be qualified to install the construction

ADA LED LIGHTECH CO., LTD

Add: Suite 105, Building E, Jin Yu Creative Industry Center, No. 22 Chuangyuan Road, Panyu District, Guangzhou 511495

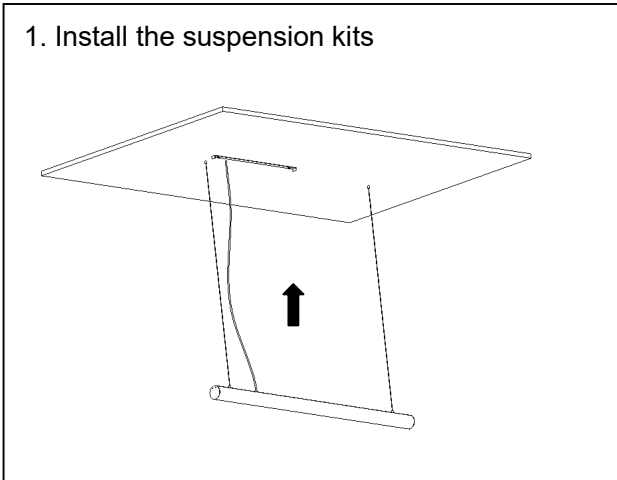
Phone:+86 20 3156 0963

info@adaprofile.com

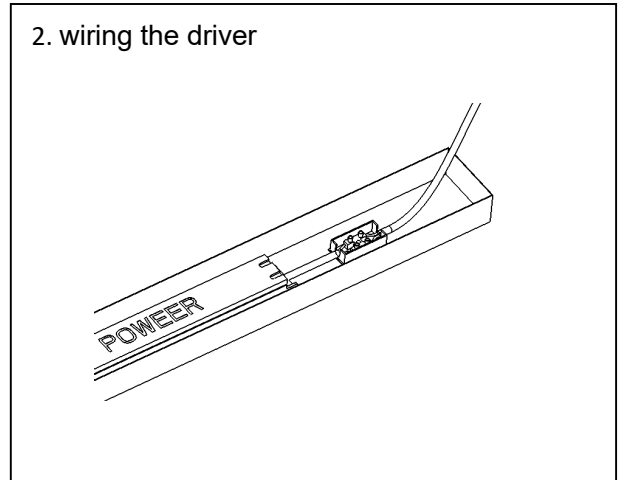
www.adaprofile.com

INSTALLATION PROCEDURE

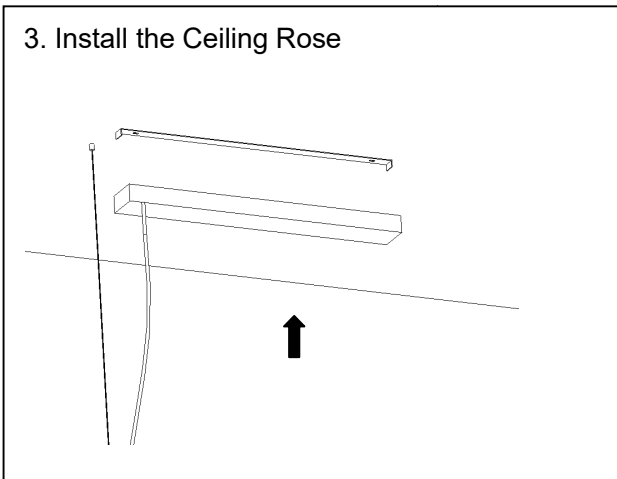
1. Install the suspension kits



2. wiring the driver



3. Install the Ceiling Rose



4. Adjust the highth of the fixture

