



PRODUCT DESCRIPTION

This Profile can be embedded installation.

The Profile can be used to create bespoke lighting solutions no matter the size or Cover of the room. The medium lumen levels and inter-connectable lengths make the Profile ideal for a host of applications including commercial lighting, architectural lighting, restaurant lighting, hotel lighting, bars and clubs, modern luxury kitchen lighting, residential properties.

ADA LED LIGHTECH CO., LTD

Address: Suite 105, Building E, JIN YU Creative Industry Center, No. 22 Chuangyuan Road, Panyu District, Guangzhou 511495

TEL:+86 020 3156 8313

Email:info@adaprofile.com

www.adaprofile.com

SPECIFICATION

LIGHTING PERFORMANCE

LED QTY	LUMEN OUTPUT	CRI	MINIMUM LIFETIME
168 LED/M	2640LM/M	>90	30,000HRS

OPERATING DETAILS

INPUT POWER	INPUT VOLTAGE	WORKING TEMPERATURE RANGE
22W/M	24V DC	-20 TO +40 °C

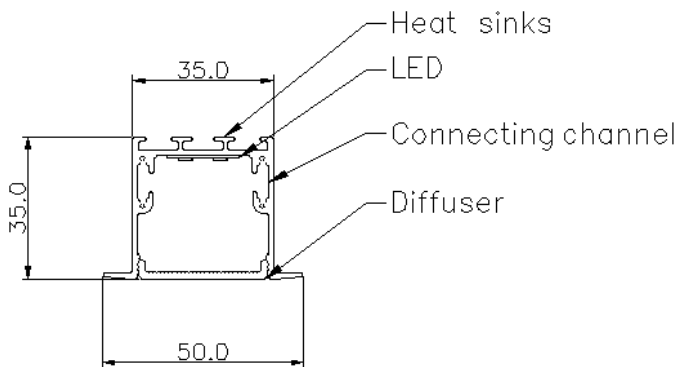
PHYSICAL DETAILS

MOUNTING TYPE	FINISH	INGRESS PROTECTION
EMBEDDED INSTALLATION	ANODISED ALUMINIUM/ POWDER COATING	IP20

OPTIONS

OPTICS	LENGTH	SINGLE LED COLOURS
120°	1000 - 2500MM	WHITE, NEUTRAL WHITE, WARMWHITE

DIMENSIONS



ADA LED LIGHTTECH CO., LTD



Address: Suite 105, Building E, JIN YU Creative Industry Center, No. 22 Chuangyuan Road, Panyu District, Guangzhou 511495

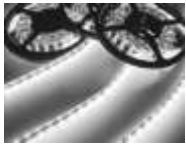
TEL:+86 020 3156 8313

Email:info@adaprofile.com

www.adaprofile.com

ACCESSORIES

END CAP	TYPE	SIZE	MATERIAL	SURFACE FINISHING
	CAP_VS.3535	50X35X11.7MM	ABS	<ul style="list-style-type: none"> ■ SILVER ■ BLACK □ WHITE
MOUNTING CLIP	TYPE	SIZE	MATERIAL	SURFACE FINISHING
	CLIP_VS.3535	43X26X45	IRON	SILVER

LED STRIP	LED TYPE	PCB WIDTH	WATTS	VOLTAGE	LED QUANTITY	RA	REMARK
	2835	12MM	22W/M	24V	168LED/M	>90	MINIMUM TRUNCATED SIZE 83MM
LED COLOR	WARM WHITE		NEUTRAL WHITE		PURE WHITE		
COLOR TEMPERATURE(K/NM)	2700-3000K		4000-5000K		5500-6000K		
LUMINOUS FLUX (LM/M)	2574		2640		2640		
LUMINOUS EFFICACY (LM/W)	117		120		120		
POWER PER METER(W)	22		22		22		
DRIVING METHOD	CONSTANT VOLTAGE						
STANDARD LENGTH(M)	5 METERS						
BODY MATERIAL	WHITE FPC						
INSTALL METHOD	3M DOUBLE-SIDED ADHESIVE						

ADA LED LIGHTECH CO., LTD

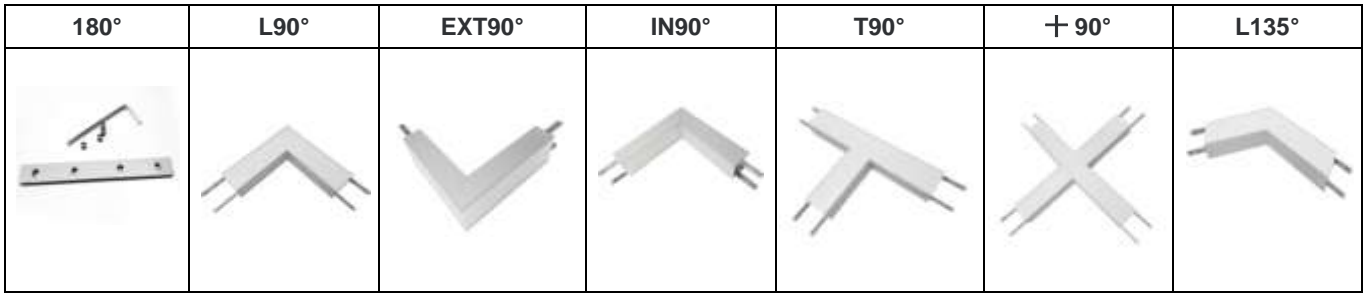
Address: Suite 105, Building E, JIN YU Creative Industry Center, No. 22 Chuangyuan Road, Panyu District, Guangzhou 511495

TEL:+86 020 3156 8313

Email:info@adaprofile.com

www.adaprofile.com

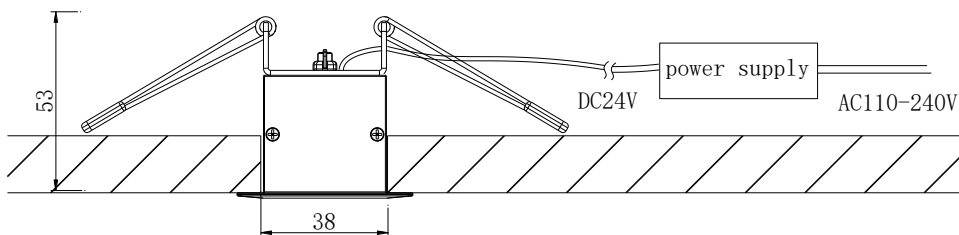
CONNECTORS



POWERSUPPLY

MODEL NO	AC VOLTAGE	DC VOLTAGE	GATED CURRENT	RATED POWER	DIMENSION (LXWXH)	DIMMABLE
ADA-65-24V-D	100-305V	24V	2.7A	72W	392X31X23	0-10V
ADA-100-24V-D	100-305V	24V	4.2A	100W	393X34.5X27	0-10V
ADA-65-24V	100-305V	24V	2.7A	72W	392X31X23	NON
ADA-100-24V	100-305V	24V	4.2A	100W	393X34.5X27	NON
LPF-90-24V	100-305V	24V	4A	90W	190X52X27	NON

INSTALLATION DIAGRAM



Please be qualified to install the construction

ADA LED LIGHTECH CO., LTD

Address: Suite 105, Building E, JIN YU Creative Industry Center, No. 22 Chuangyuan Road, Panyu District, Guangzhou 511495

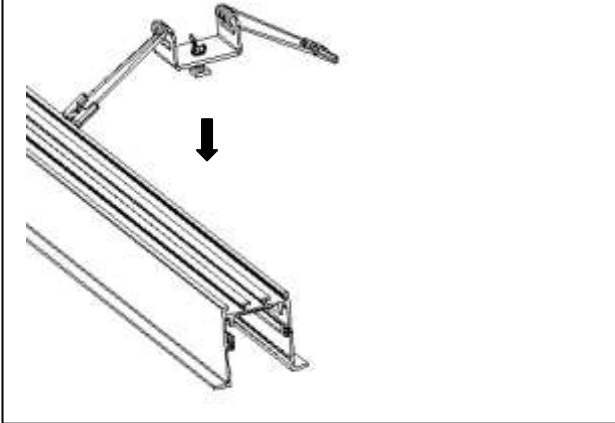
TEL:+86 020 3156 8313

Email:info@adaprofile.com

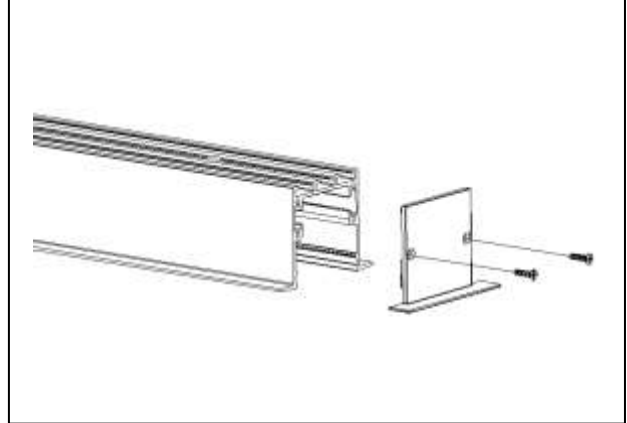
www.adaprofile.com

INSTALLATION PROCEDURE

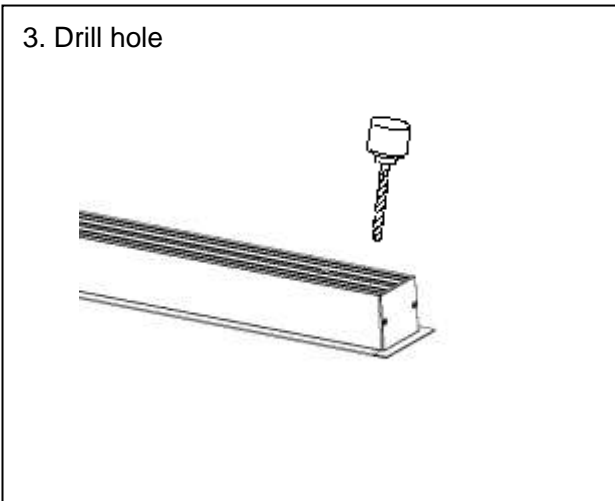
3. Install the spring clip



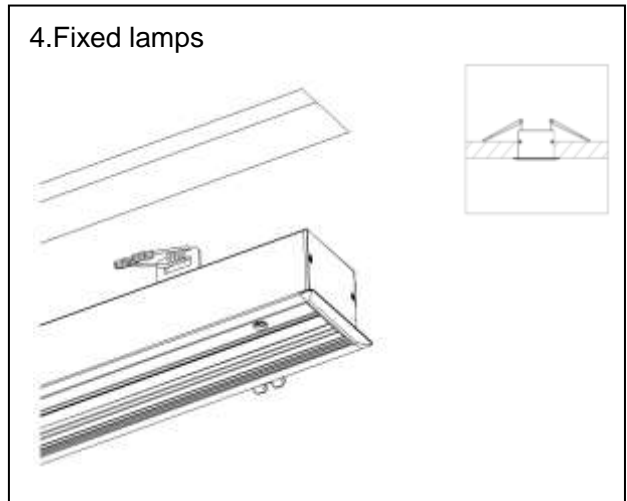
2. Install the end cap



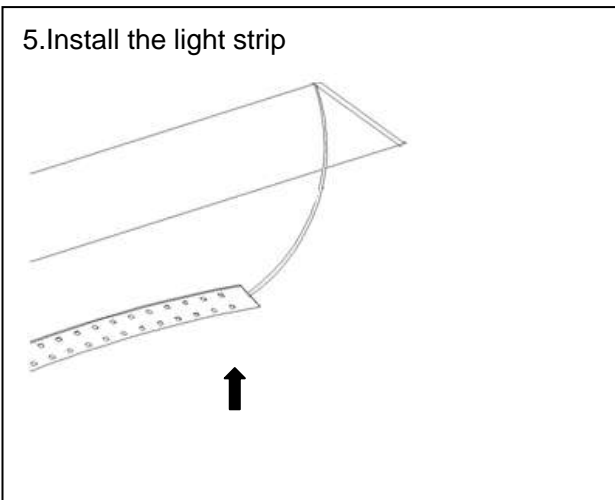
3. Drill hole



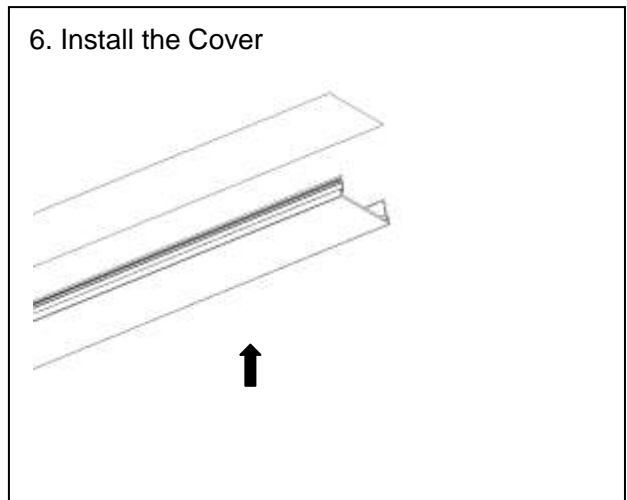
4. Fixed lamps



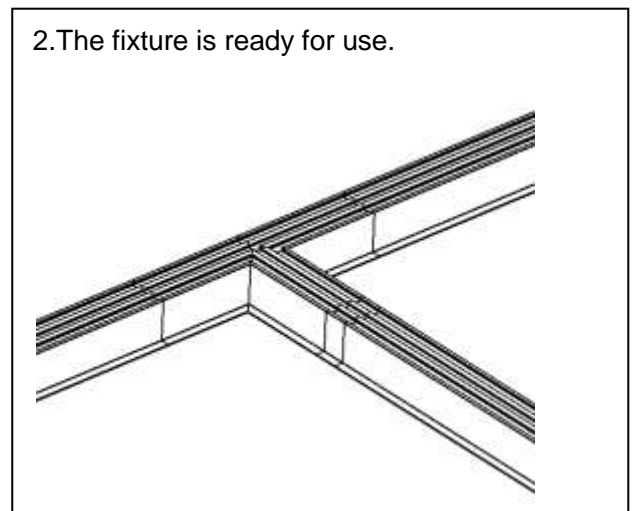
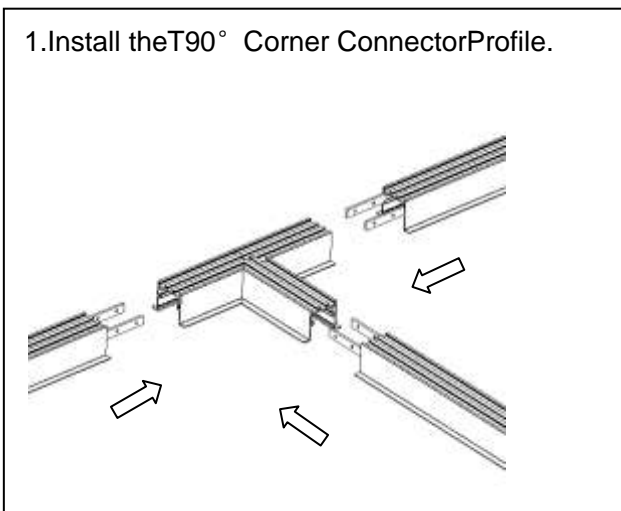
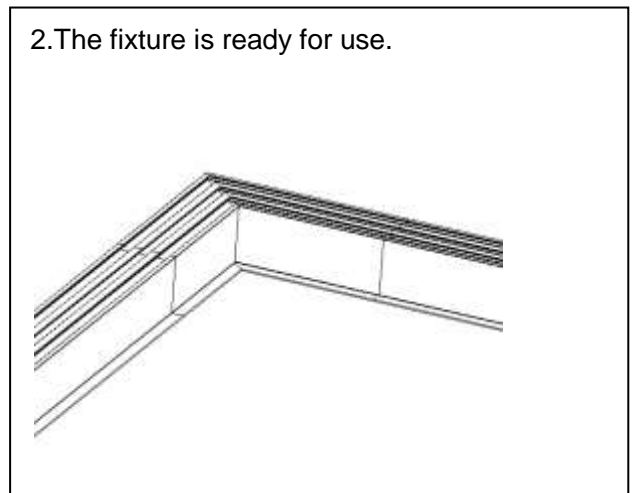
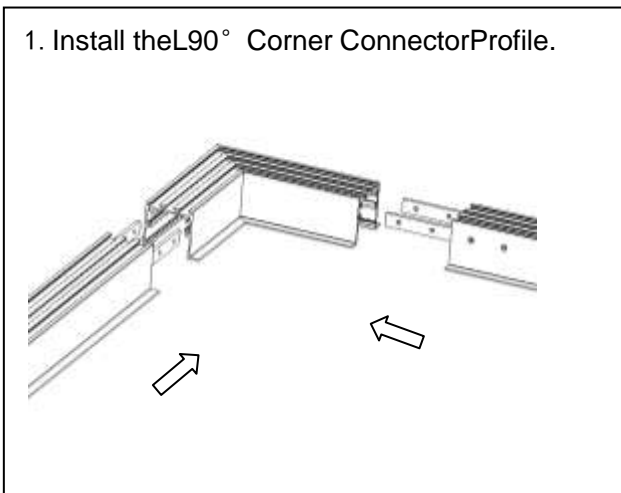
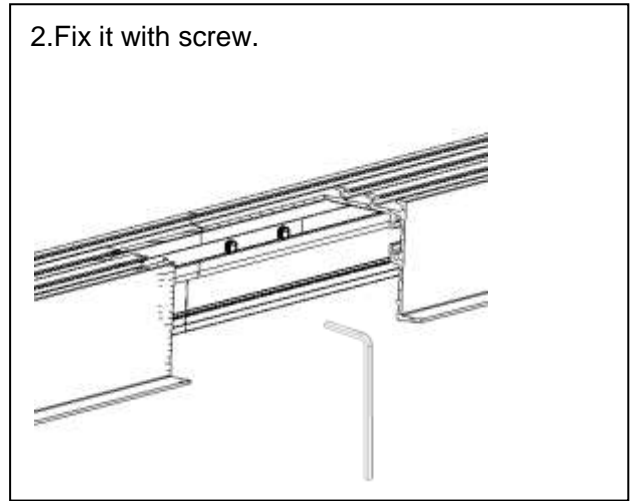
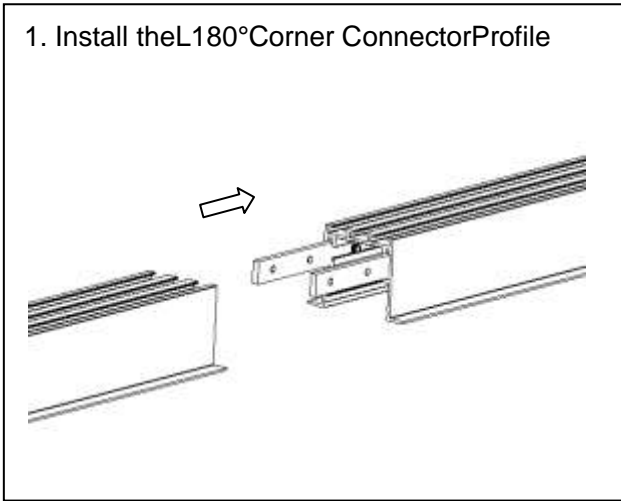
5. Install the light strip



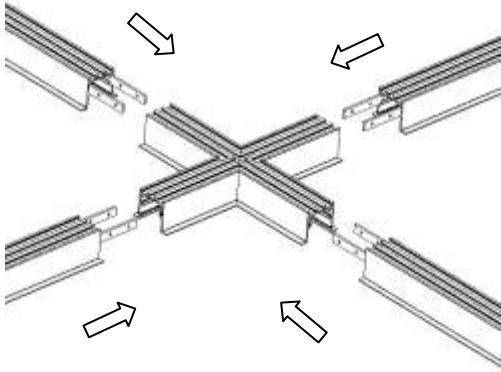
6. Install the Cover



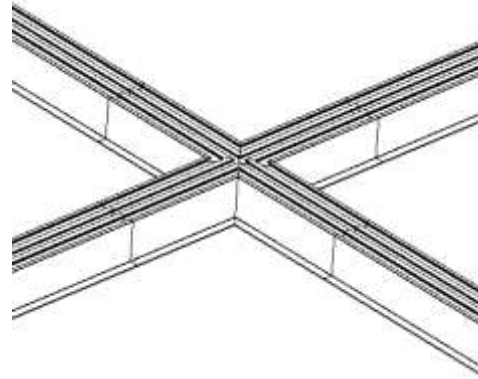
CONNECTING PROFILE- USING CONNECTOR



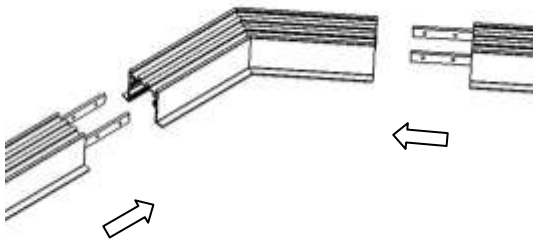
1. Install the + 90° Corner Connector Profile.



2. The fixture is ready for use.



1. Install the L135° Corner Connector Profile.



2. The fixture is ready for use.

