



PRODUCT DESCRIPTION

The Profile is designed to use under plaster, after installation, there will be trimless.

The Profile can be used to create bespoke lighting solutions no matter the size or Cover of the room.

The high lumen levels and interconnectable lengths make the Profile ideal for a host of applications including commercial lighting, architectural lighting, restaurant lighting, hotel lighting, bars and clubs, modern luxury kitchen lighting, residential properties.

ADA LED LIGHTECH CO., LTD

Add: Suite 105, Building E, Jin Yu Creative Industry Center, No. 22 Chuangyuan Road, Panyu District, Guangzhou 511495

Phone: +86 20 3156 0963 info@adaprofile.com www.adaprofile.com

SPECIFICATION

LIGHTING PERFORMANCE

LED QTY	LUMEN OUTPUT	CRI	MINIMUM LIFETIME
204LED	3254LM/1.2M	>80	30,000HRS

OPERATING DETAILS

INPUT POWER	INPUT VOLTAGE	WORKING TEMPERATURE RANGE
40W/1.2M	100-305V/AC	-20 TO +40 °C

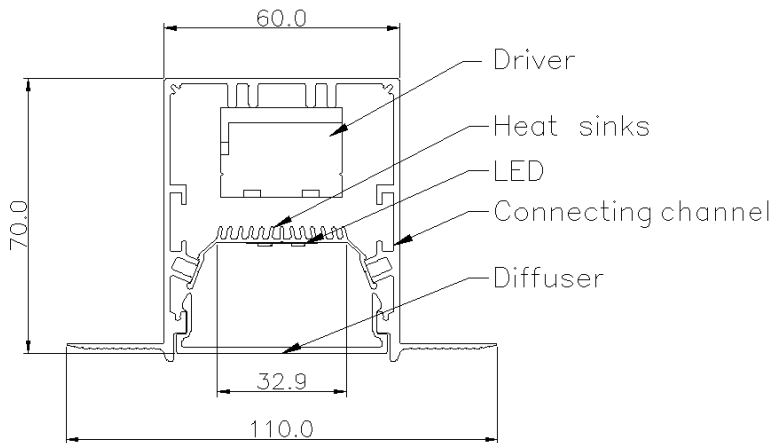
PHYSICAL DETAILS

MOUNTING TYPE	FINISH	INGRESS PROTECTION
SURFACE OR PENDANT MOUNTED	ANODISED ALUMINIUM	IP20

OPTIONS

OPTICS	LENGTH	SINGLE LED COLOURS
120°	1200MM	WHITE, NEUTRAL WHITE, WARMWHITE

DIMENSIONS

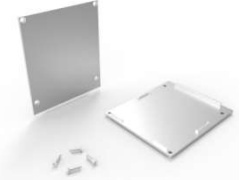



ADA LED LIGHTTECH CO., LTD

Add: Suite 105, Building E, Jin Yu Creative Industry Center, No. 22 Chuangyuan Road, Panyu District, Guangzhou 511495








Phone: +86 20 3156 0963 info@adaprofile.com www.adaprofile.com

ACCESSORIES

END CAP	TYPE	SIZE	MATERIAL	SURFACE FINISHING
	CAP_NS.7060	70X60X13MM	ABS	<ul style="list-style-type: none"> ■ SILVER ■ BLACK □ WHITE

LED LIGHT BOARD	LED TYPE	PCB WIDTH	WATTS	CURRENT	LED QUANTITY	RA	REMARK
	2835	30MM	35.4W	1000MA	204LED	>80	CAN STITCHING
LED COLOR	WARM WHITE		NEUTRAL WHITE		PURE WHITE		
COLOR TEMPERATURE(K/NM)	2700-3000K		4000-5000K		5500-6000K		
LUMINOUS FLUX (LM)	5239		5390		5390		
LUMINOUS EFFICACY (LM/W)	148		152		152		
POWER(W)	35.4		35.4		35.4		
DRIVING METHOD	CONSTANT CURRENT						
STANDARD LENGTH(M)	1.2 METERS						
BODY MATERIAL	ALUMINUM PLATE						
INSTALL METHOD	SCREW FIXED						

CONNECTORS

180°	L90°	EXT90°	IN90°	T90°	+ 90°	L135°
						

ADA LED LIGHTECH CO., LTD

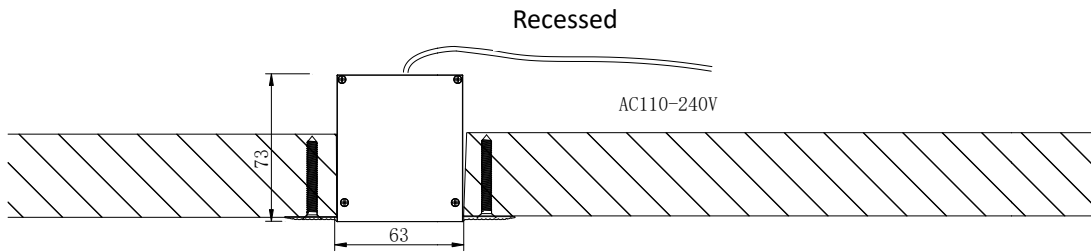
Add: Suite 105, Building E, Jin Yu Creative Industry Center, No. 22 Chuangyuan Road, Panyu District, Guangzhou 511495

Phone:+86 20 3156 0963 info@adaprofile.com www.adaprofile.com

POWERSUPPLY

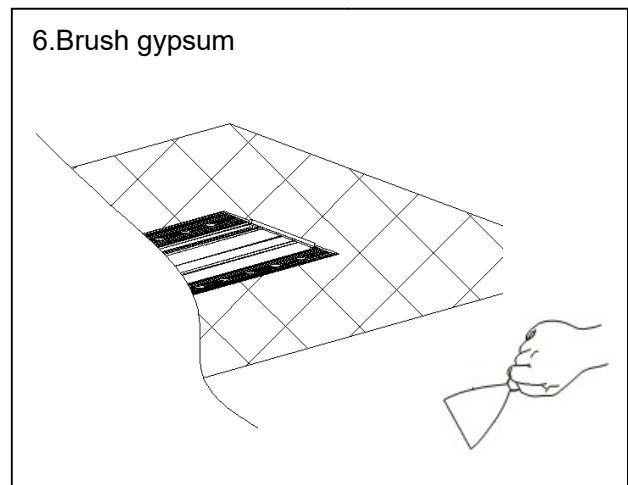
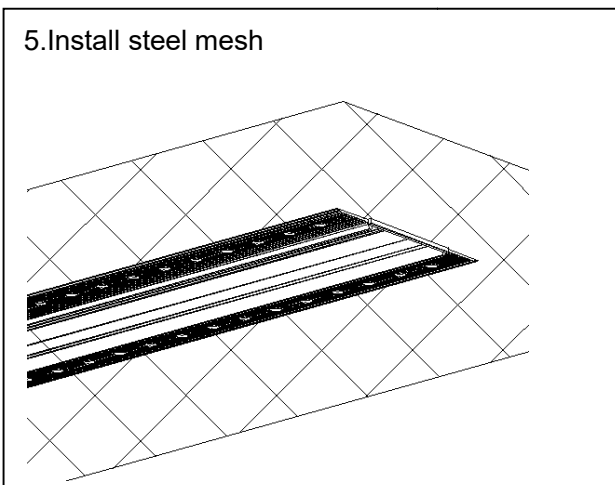
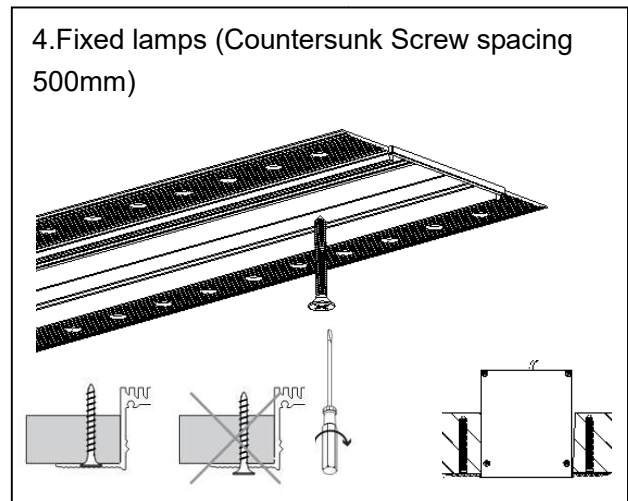
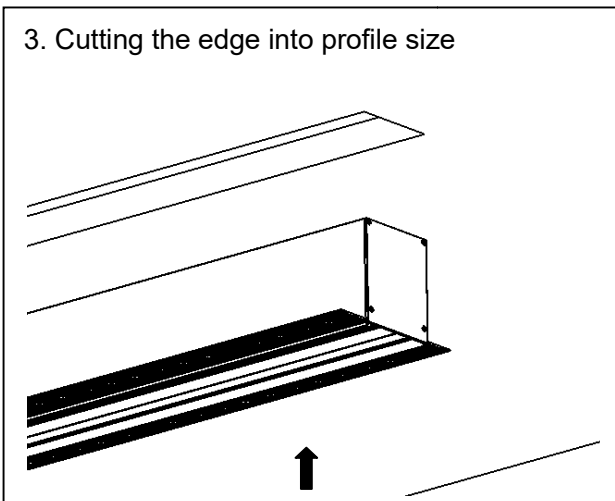
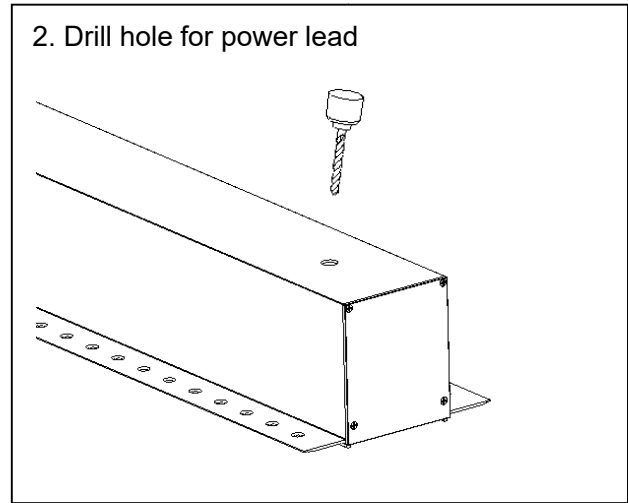
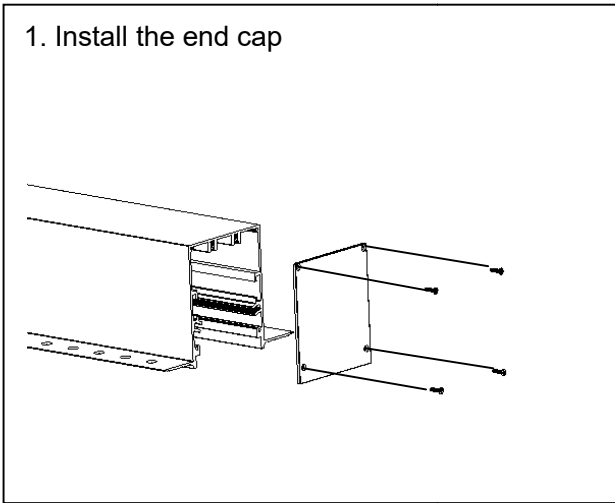
MODEL NO	AC VOLTAGE	DC VOLTAGE	GATED CURRENT	RATED POWER	DIMENSION (LXWXH)	DIMMABLE
ADA-BT111YC	100-305V	27-40V	0.75-1.1A	40W	257X31X23	0-10V
ADA-BT111NC	180-264V	27-40V	0.75-1.1A	40W	257X31X23	0-10V

INSTALLATION DIAGRAM

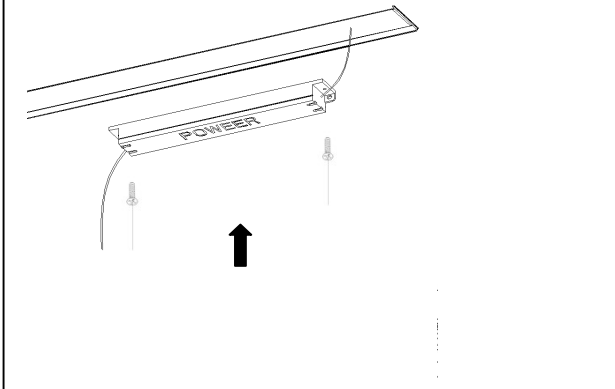


Please be qualified to install the construction

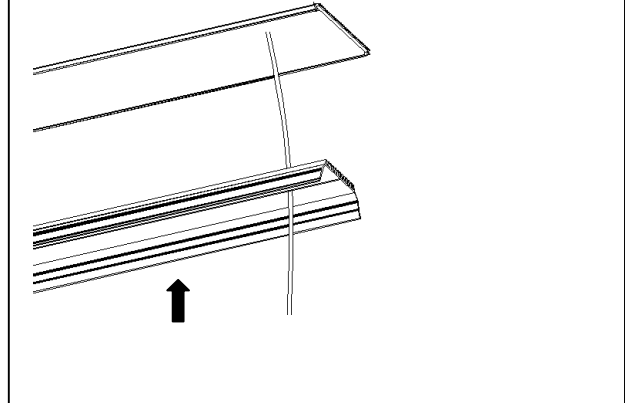
INSTALLATION PROCEDURE



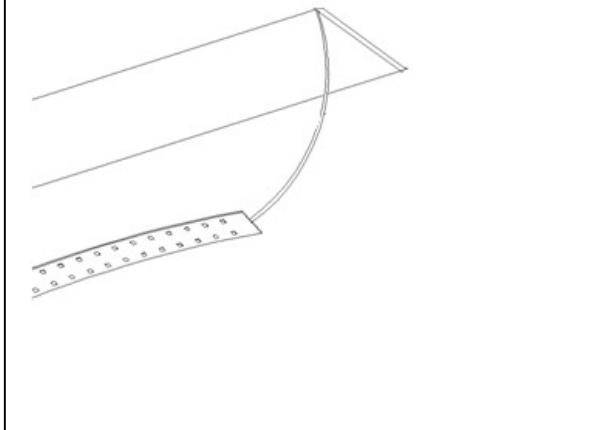
7.Fixed Driver



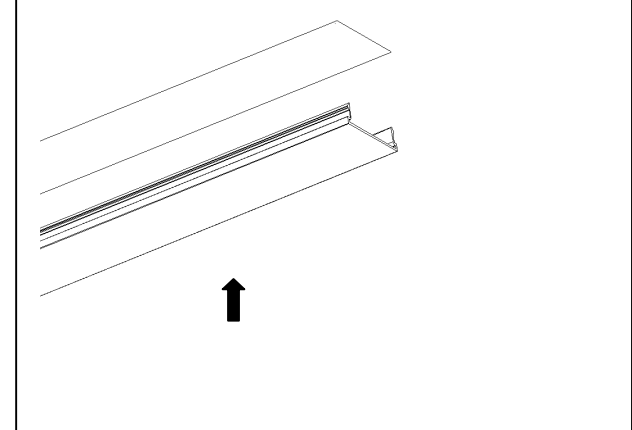
8.Install the radiator



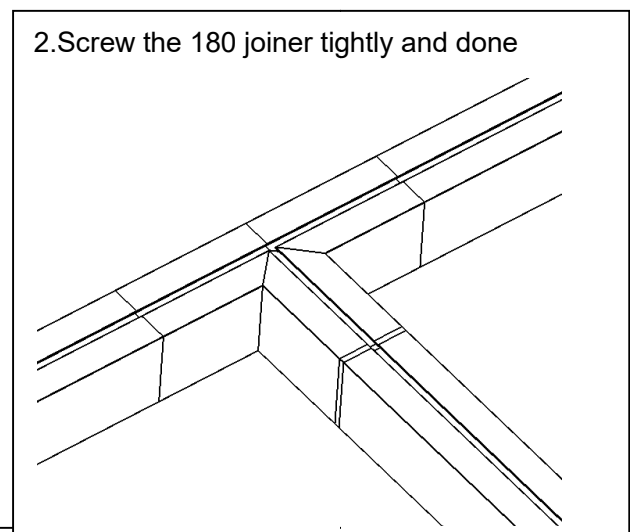
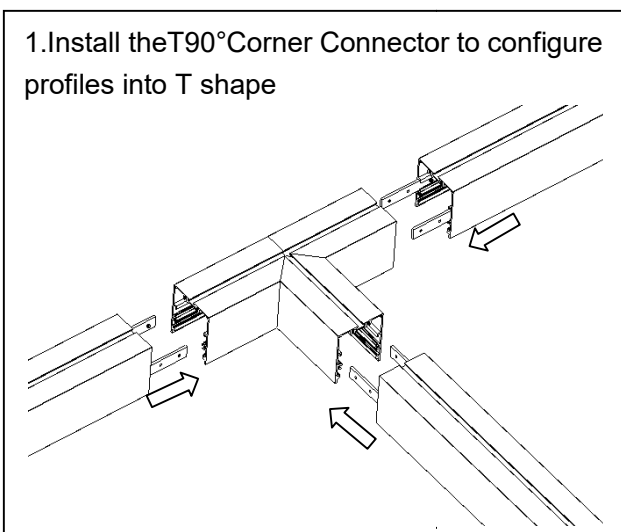
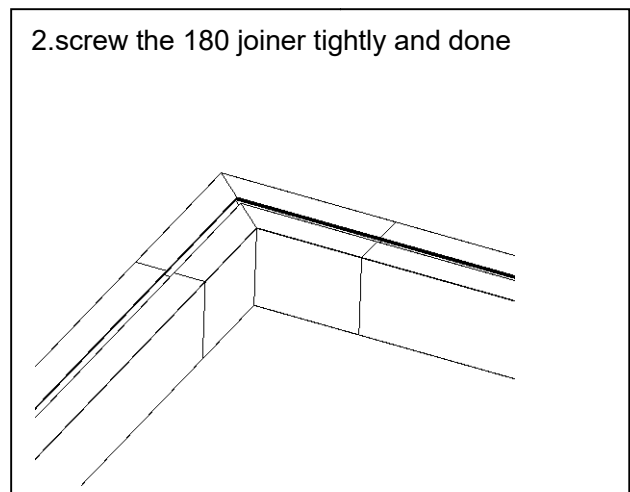
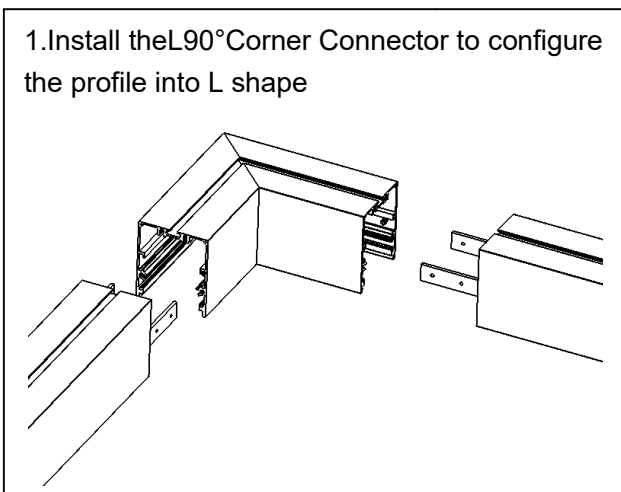
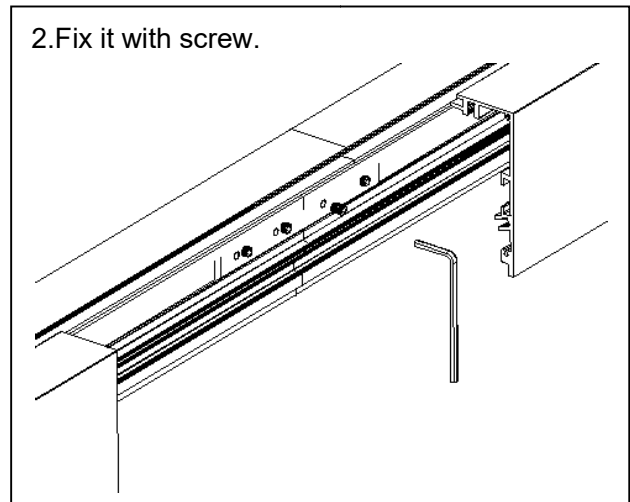
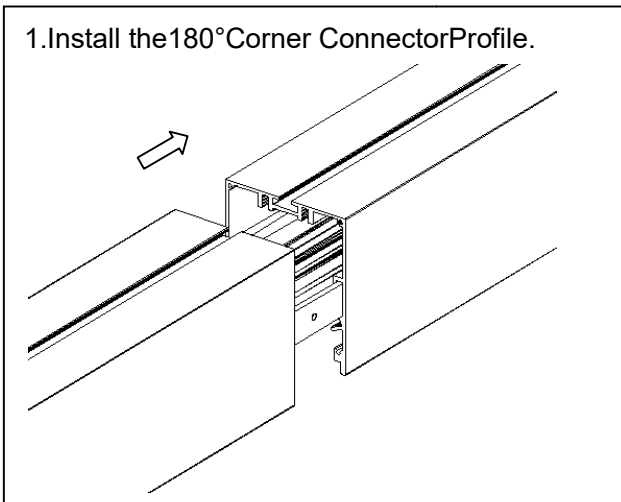
9.Install the light strip



10. Install the Cover



CONFIGURING PROFILE- USING CONNECTOR

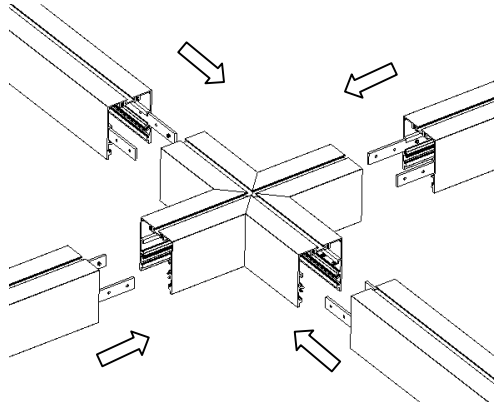


ADA LED LIGHTECH CO., LTD

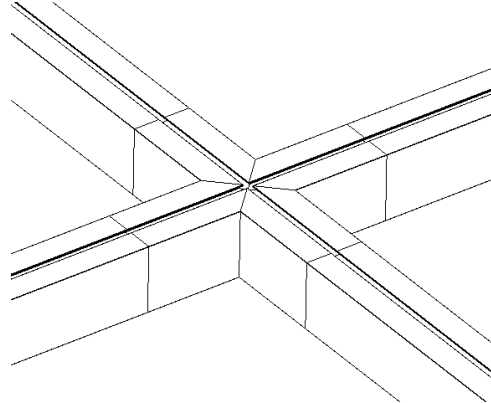
Add: Suite 105, Building E, Jin Yu Creative Industry Center, No. 22 Chuangyuan Road, Panyu District, Guangzhou 511495

Phone: +86 20 3156 0963 info@adaprofile.com www.adaprofile.com

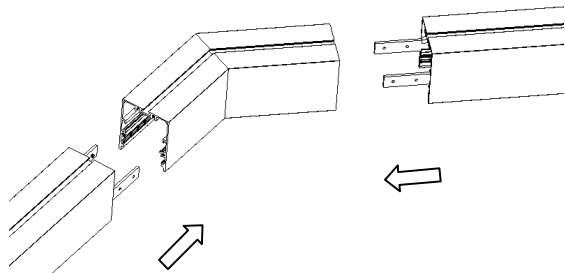
1. Install the $\pm 90^\circ$ Corner Connector to configure profiles into T shape



2. Screw the 180 joiner into profiles and done



1. Install the $L135^\circ$ Corner Connector to configure the profiles into 135 degree



2. screw the 180 joiner

